

**NEMA 4X - ENCLOSURE  
19" RACKMOUNT - 15U HEIGHT  
FREE STANDING**

**30" H x 48" W x 48" D  
2 DOOR DESIGN**

**STAINLESS STEEL**

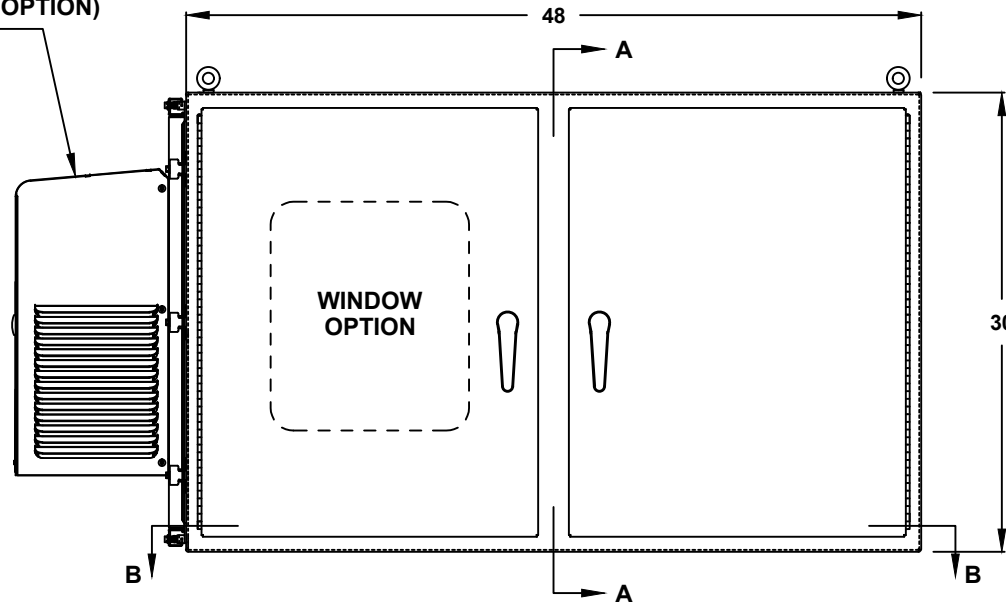


FILE NUMBER: E507642

AIR CONDITIONER (OPTION)  
REF. TO PAGE 2

**ENCLOSURE MATERIAL**

- 304 STAINLESS STEEL (S4)
- 316 STAINLESS STEEL (S6)



- LIFTING EYES**
- WELDED PADEYES (STANDARD)
  - REMOVABLE PADEYES

**\*WINDOW OPTIONS**

- CLEAR WINDOW
- TINTED WINDOW
- TEMPERED GLASS
- NOT REQUIRED

**DOOR HANDLES**

- PADLOCK PROVISION (STANDARD)
- KEYLOCK (OPTION)

**FRONT VIEW**

ALL DIMENSIONS ARE ESTIMATED IN INCHES  
AND MAY VARY DUE TO SELECTED OPTIONS.

\*NOTE: UL & NON-UL OPTIONS  
AVAILABLE

COMPANY NAME	
APPROVED (PRINTED NAME)	
SIGNATURE	DATE

**30" H x 48" W x 48" D  
2 DOOR DESIGN**

- A/C MATERIAL (EXTERIOR)**
- 304 STAINLESS STEEL
  - 316 STAINLESS STEEL
  - OTHER \_\_\_\_\_

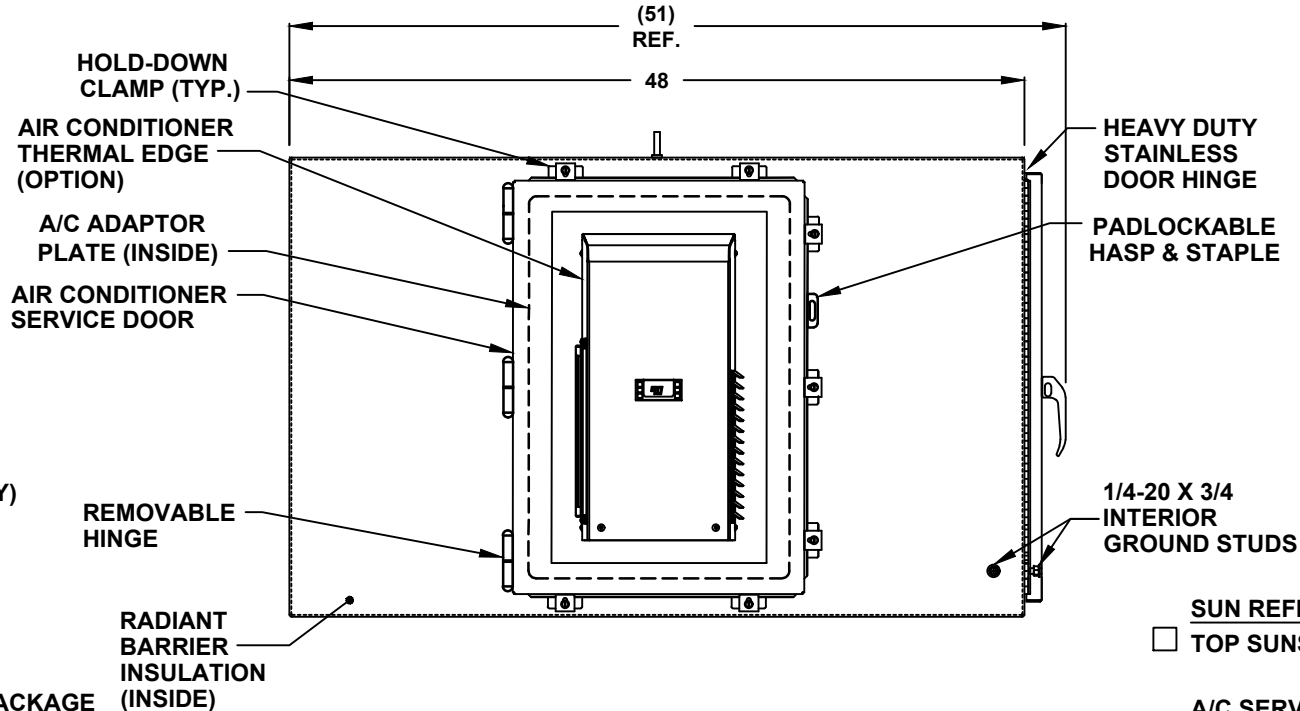
- AIR CONDITIONER**
- 1000 BTU (NE/CS)
  - 1500 BTU (NE)
  - 2000 BTU (CS)
  - SPECIFY \_\_\_\_\_
  - NOT REQUIRED

- A/C VOLTAGE/ HZ**
- 115 VOLTS
  - 230 VOLTS
  - 480 VOLTS
  - 60 HZ
  - 50 HZ
  - 48 VDC (CS011 A/C ONLY)

- A/C INTEGRATED HEATER**
- 350 WATTS (CS011 A/C ONLY)
  - 500 WATTS
  - 1000 WATTS
  - EXTERNAL HEATER

- ADDITIONAL A/C OPTIONS**
- CORROSION PROTECTION PACKAGE
  - DRY CONTACT (OUTPUT SIGNAL)
  - 2" DEEP FILTERS
  - PROXIMITY SWITCH (ON/OFF)

- AIR CONDITIONER- SCADA**
- MODBUS RTU 485 (2 WIRE) REMOTE NETWORK ETHERNET CONNECTION
  - MODBUS GATEWAY ADD-ON



**LEFT SIDE**

- THERMAL SPECIFICATIONS**
- OUTSIDE (AMBIENT) \_\_\_\_\_ °F
  - INTERIOR TEMP. \_\_\_\_\_ °F
  - HEAT LOAD (WATTS) \_\_\_\_\_
  - SUN / SHADE \_\_\_\_\_

- ENCLOSURE INSULATION**
- 1/2 RADIANT BARRIER (STANDARD)
  - 3/4 RADIANT BARRIER
  - 1 RADIANT BARRIER
  - NOT REQUIRED

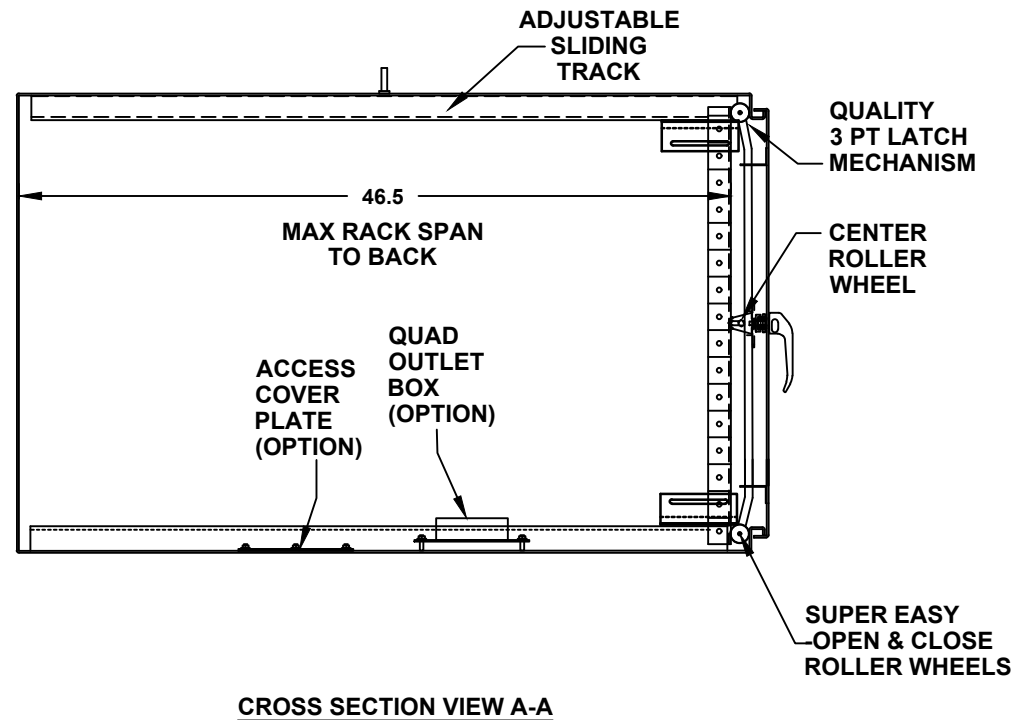
- SUN REFLECTIVE SOLUTION**
- TOP SUNSHIELD COVER

- A/C SERVICE DOOR**
- INSTALL A/C SERVICE DOOR
  - NOT REQUIRED

- A/C SERVICE DOOR HINGE**
- REMOVABLE HINGE
  - CONTINUOUS HINGE

- A/C ADAPTOR PLATE**
- INSTALL A/C ADAPTOR PLATE
  - NOT REQUIRED

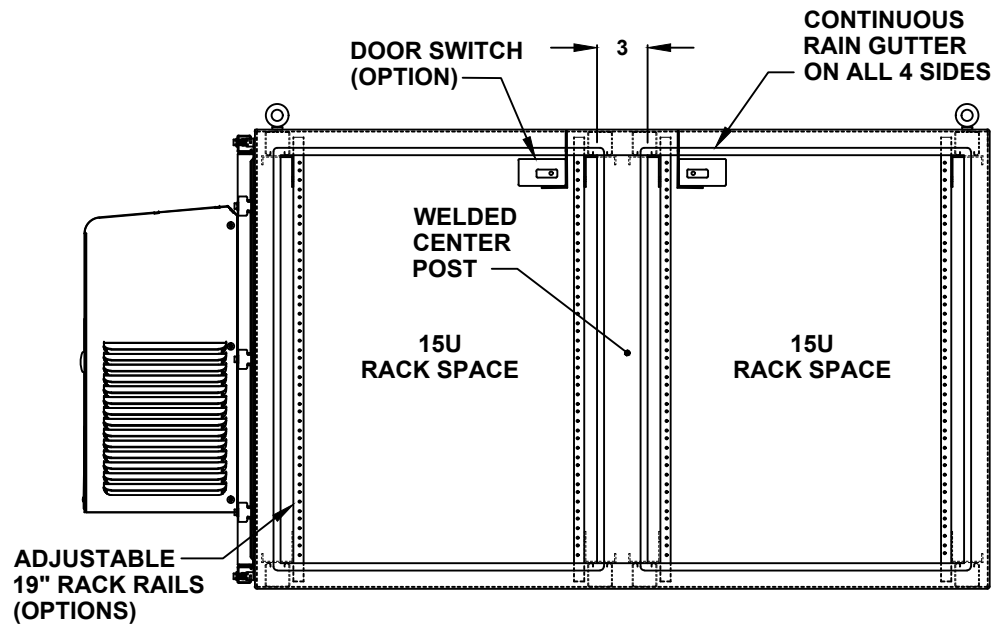
# 30" H x 48" W x 48" D 2 DOOR DESIGN



**30" H x 48" W x 48" D  
2 DOOR DESIGN**

RACK RAIL OPTIONS

- BLACK CLIP NUTS, #10-32, (100 EA.)
- #10/32 HIGH POINT SCREWS (100 EA.)
- M6 CAGE NUTS



FRONT VIEW WITH DOOR REMOVED

DOOR OPTIONS

- DOOR SWITCH
- ELECTROMAGNETIC LOCK
- PRINT POCKET

CENTER POST

- WELDED (STANDARD)
- REMOVEABLE

RACK RAIL POST

- QTY 4 POST
- QTY 8 POST (REARDOOR REQUIRED)

RACK RAIL MATERIAL

- POWDER COATED STEEL (STANDARD)
- 304 STAINLESS STEEL

RACK RAIL MOUNTING HOLES

- #10-32 TAP (STANDARD)
- #1/4-20 TAP
- 3/8 SQUARE

RACK RAIL TYPE

- STANDARD GRADE
- HEAVY DUTY RAILS (OPTION)

RACK SHELVES (OPTION)

- STANDARD RACK SHELVES
- SLIDING RACK SHELVES
- RACK SHELF SUPPORT

RACK DRAWERS (OPTION)

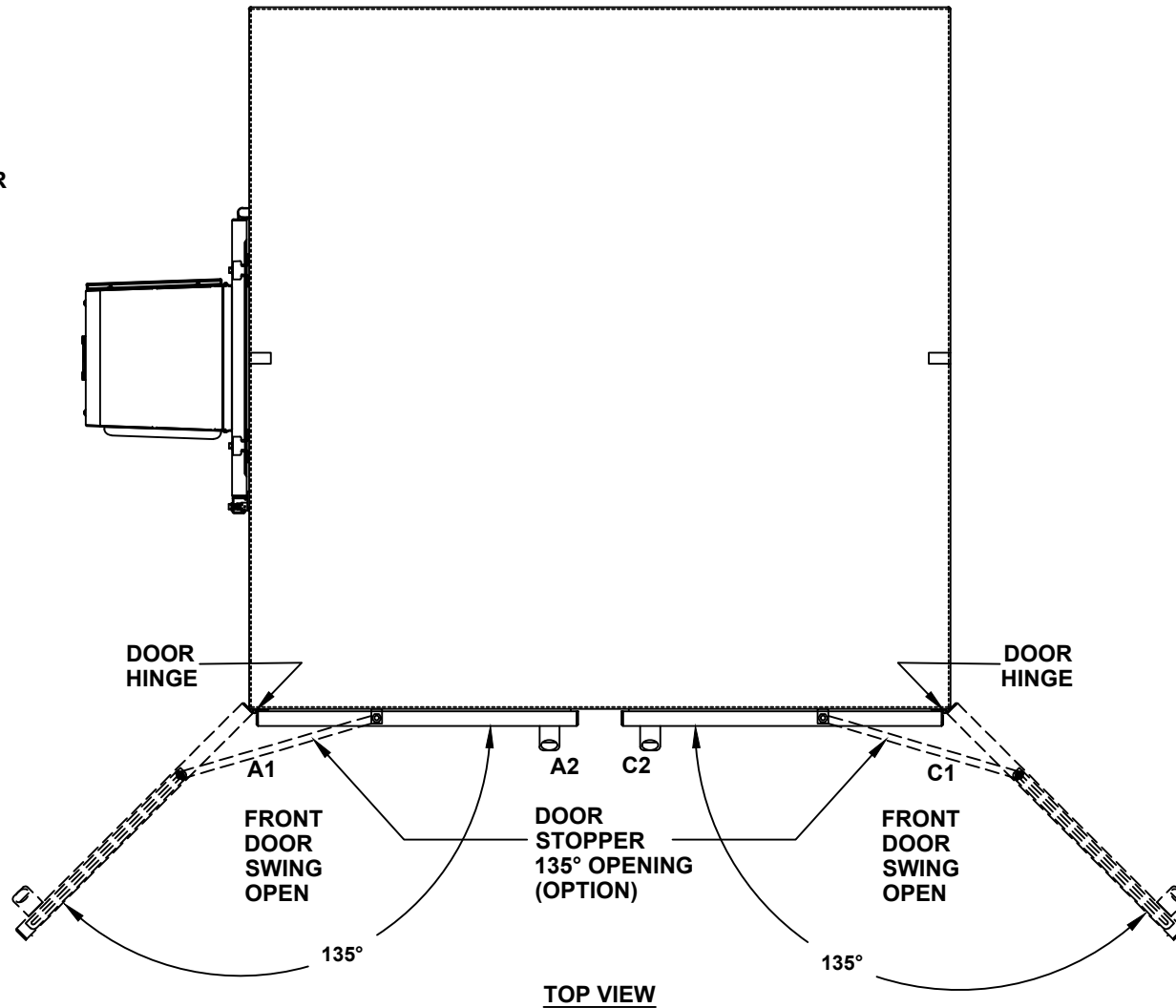
- RACK DRAWERS
- LAPTOP DRAWERS

OTHER OPTIONS

- 19" RACK COPPER BUSBAR
- VERTICAL RACK PDU

# 30" H x 48" W x 48" D 2 DOOR DESIGN

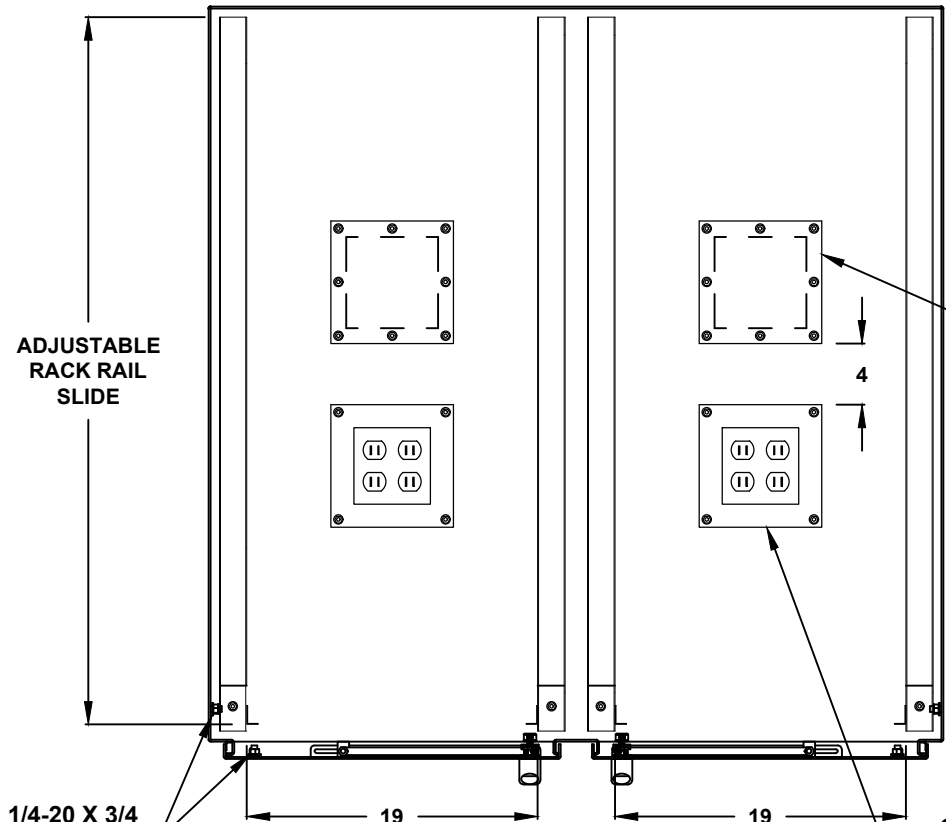
- DOOR STOPPER**
- INSTALL DOOR STOPPER
  - NOT REQUIRED



# 30" H x 48" W x 48" D 2 DOOR DESIGN

**SIDE ACCESS COVER PLATE MAT'L**

- POWDER COATED STEEL
- POWDER COATED ALUMINUM
- STAINLESS STEEL, 304



**BASE ACCESS COVER PLATE (OPTION)**

- 8x8 PLATE (6x6 CUT-OUT)
- 8x16 PLATE (6x14 CUT-OUT)
- 12x12 PLATE (10x10 CUT-OUT)
- 16x16 PLATE (14x14 CUT-OUT)

**QUAD OUTLET BOX ON 8x8 PLATE (OPTION)**

- ADD QUAD BOX
- 15A 115V RECEPTACLE
- 20A 115V RECEPTACLE
- NOT REQUIRED

**CONDUIT/CABLE SEAL OPTIONS**

- ROXTEC SEAL SOLUTION
- PIPE FITTING HUB
- CABLE GLAND

1/4-20 X 3/4  
INTERIOR  
GROUND STUDS  
 BONDING STRAPS

**TOP CROSS SECTION VIEW B-B**